



BALL VALVE



Valve



The ball valve can isolate a hydraulic network.

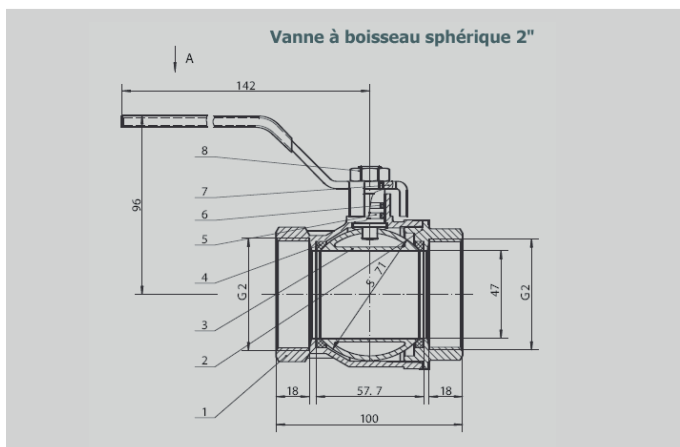


PRODUCT

- Full bore
- Easy operation with ergonomic handle

TECHNICAL SPECIFICATIONS

- Body and brass sleeve
- Brass Sphere
- Brass Axe
- PTFE seat
- O-Ring Fluorocarbon
- Handle and steel nut



It is recommended to actuate the opening and closing of the ball valve at least once per semester. A visual control of the ball valve must be performed to ensure good sealing internal joints. This check should be performed regularly, at least once a quarter. Its frequency will be increased according to the potential risk of damage.

Reference	Description
03820108	Ball valve 3/8"
03820109	Ball valve 1/2"
03820110	Ball valve 3/4"
03820111	Ball valve 1"
03820112	Ball valve 1" 1/4
03820113	Ball valve 1" 1/2
03820114	Ball valve 2"
03820115	Ball valve 2" 1/2
03820116	Ball valve 3"